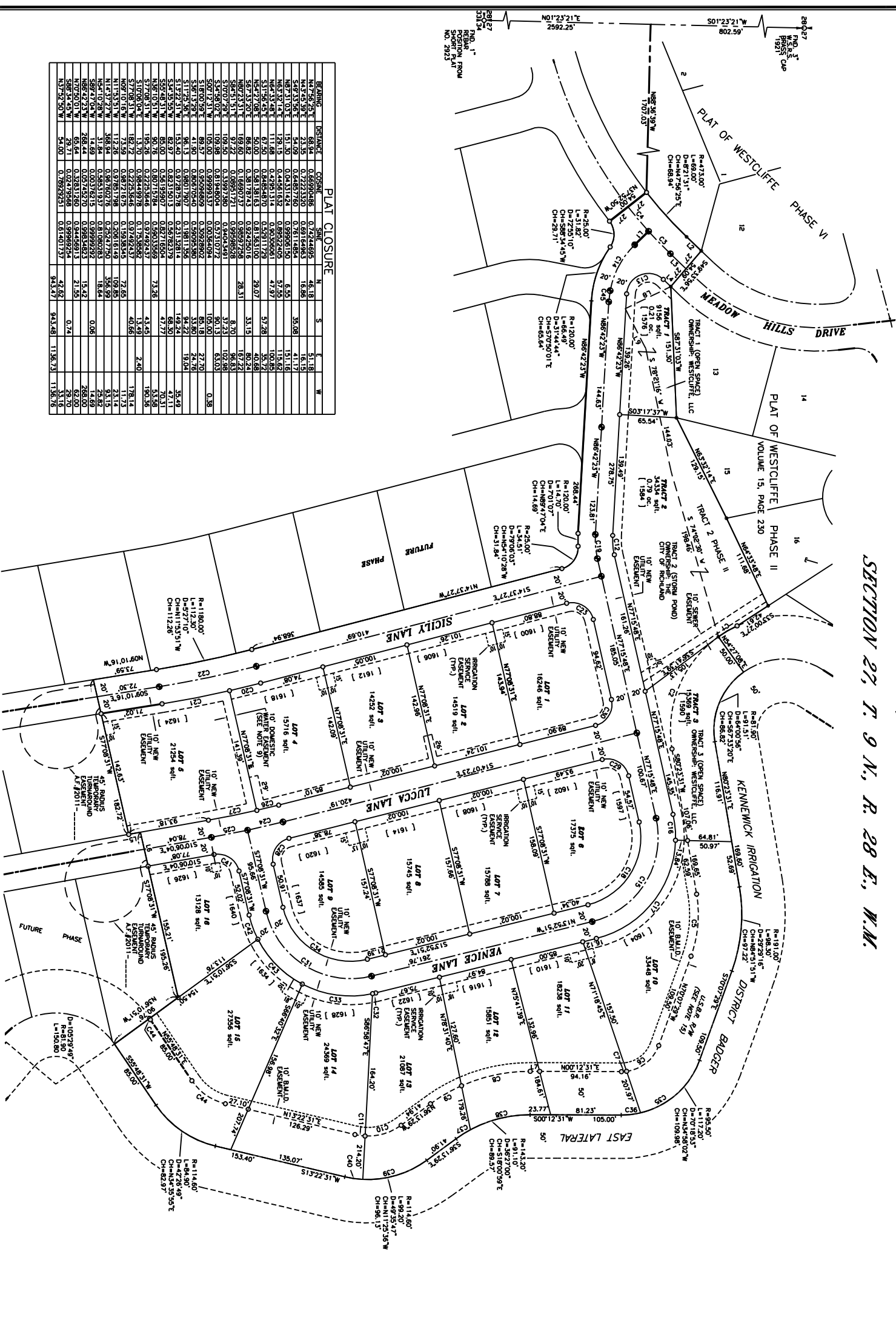
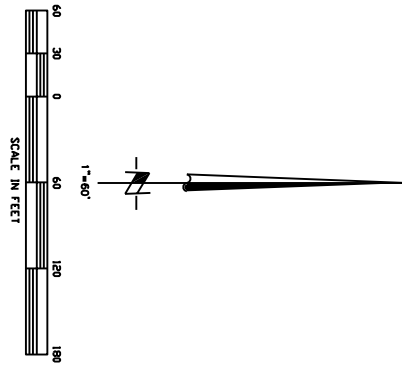


# PLAT OF WESTCLIFFE PHASE VIII RICHLAND, WASHINGTON SECTION 27, T. 9 N., R. 28 E., W.M.



BEARING	DISTANCE	COSINE	SINE	N	S	E	W
N47°56'25"E	68.94	0.65990466	0.72444695	16.18		16.15	
N47°53'59"E	23.35	0.72233320	0.69142483	16.86		35.08	
N47°51'03"E	151.30	0.64151429	0.93898150	6.35		151.16	
N47°47'48"E	179.15	0.44451632	0.89227405	37.55		115.62	
N47°43'48"E	111.68	0.22951514	0.90306651	47.97		100.85	
N47°39'48"E	67.50	0.64484870	0.76111729	28.07		51.28	
N47°35'00"E	66.82	0.58118743	0.92425016	33.15		80.24	
N47°30'31"E	169.60	0.16680737	0.98997758	28.51		37.70	
N47°26'31"E	97.22	0.08951721	0.99298828	18.42		18.63	
N47°22'31"E	105.00	0.35999337	0.93344094	36.15		53.03	
N47°18'31"E	89.57	0.62668629	0.78288402	68.18		27.70	
N47°14'31"E	105.00	0.81948004	0.57310772	80.15		53.03	
N47°10'31"E	86.13	0.80179827	0.19811358	148.22		19.24	
N47°06'31"E	153.40	0.93787578	0.23132814	148.24		19.24	
N47°02'31"E	65.90	0.61359507	0.62710546	68.30		35.49	
N46°58'31"E	65.90	0.61359507	0.62710546	68.30		35.49	
N46°54'31"E	189.26	0.22235646	0.97492437	73.38		43.45	
N46°50'31"E	131.70	0.68449978	0.17595842	13.49		2.40	
N46°46'31"E	189.26	0.22235646	0.97492437	73.38		43.45	
N46°42'31"E	112.26	0.37851788	0.92616149	109.85		23.14	
N46°38'31"E	368.94	0.36160276	0.93247750	18.84		0.08	
N46°34'31"E	31.84	0.83831937	0.10802083	356.99		73.52	
N46°30'31"E	288.48	0.05215276	0.99854623	15.42		268.00	
N46°26'31"E	65.84	0.32812450	0.94445813	21.55		62.00	
N46°22'31"E	29.71	0.92479548	0.39989254	42.62		29.70	
N46°18'31"E	54.00	0.78929251	0.61480157	93.57		113.81	

LINE	BEARING	LENGTH
1	S44°23'17"E	22.24
2	S3°53'59"W	23.35
3	S3°53'59"W	24.92
4	S4°53'59"W	11.94
5	S77°08'31"W	40.05
6	N00°12'31"E	10.82
7	N59°49'47"W	58.23
8	S67°54'53"W	51.78



CURVE	LENGTH	BEARING	DELTA	CHORD	BEARING	CHORD
C1	147.37	S131°00'	174°01'27"	53.077246	S270°00'	53.077246
C2	147.37	S131°00'	174°01'27"	53.077246	S270°00'	53.077246
C3	36.18	S00°00'	4°08'46"	4.084066	N45°30'27"E	36.17
C4	37.71	S00°00'	4°19'28"	4.192816	N45°30'27"E	37.72
C5	72.57	S141°00'	28°28'16"	18.921511	N45°31'11"W	71.72
C6	48.50	S45°00'	5°32'12"	4.581212	N03°45'58"W	48.50
C7	48.50	S45°00'	5°32'12"	4.581212	S30°05'27"E	41.30
C8	41.38	S33°20'	12°16'14"	12.161427	S11°52'27"E	80.87
C9	81.48	S33°20'	24°09'55"	24.095525	N15°29'02"W	43.28
C10	44.14	S44°00'	10°28'52"	10.285218	N08°08'52"E	11.78
C11	11.78	S44°00'	10°28'52"	10.285218	N08°08'52"E	11.78
C12	56.53	S25°00'	13°02'02"	5.81282272	S81°28'27"E	45.40
C13	60.93	S00°00'	3°45'31"	3.454531	N45°30'27"E	59.89
C14	60.93	S00°00'	3°45'31"	3.454531	N45°30'27"E	59.89
C15	158.08	S20°00'	14°19'52"	14.195212	S84°29'54"W	28.94
C16	158.08	S20°00'	14°19'52"	14.195212	S84°29'54"W	28.94
C17	27.88	S00°00'	1°01'49"	1.014927	N05°15'47"E	27.89
C18	27.88	S00°00'	1°01'49"	1.014927	N05°15'47"E	27.89
C19	27.88	S00°00'	1°01'49"	1.014927	N05°15'47"E	27.89
C20	36.92	S20°00'	14°43'08"	14.430827	N11°01'30"W	78.17
C21	36.92	S20°00'	14°43'08"	14.430827	N11°01'30"W	78.17
C22	114.21	S200°00'	342°10'	34.2108	N11°01'30"W	114.18
C23	114.21	S200°00'	342°10'	34.2108	N11°01'30"W	114.18
C24	41.86	S200°00'	342°10'	34.2108	N11°01'30"W	41.86
C25	42.80	S200°00'	342°10'	34.2108	N11°01'30"W	42.80
C26	42.80	S200°00'	342°10'	34.2108	N11°01'30"W	42.80
C27	58.92	S180°00'	7°15'25"	7.152525	N11°29'02"W	58.92
C28	58.92	S180°00'	7°15'25"	7.152525	N11°29'02"W	58.92
C29	58.92	S180°00'	7°15'25"	7.152525	N11°29'02"W	58.92
C30	58.92	S180°00'	7°15'25"	7.152525	N11°29'02"W	58.92
C31	158.88	S180°00'	91°01'22"	91.012227	N11°30'07"E	142.88
C32	3.64	S180°00'	91°01'22"	91.012227	N11°30'07"E	3.64
C33	3.64	S180°00'	91°01'22"	91.012227	N11°30'07"E	3.64
C34	3.64	S180°00'	91°01'22"	91.012227	N11°30'07"E	3.64
C35	53.43	S180°00'	39°50'08"	39.500828	N07°45'34"E	81.78
C36	53.43	S180°00'	39°50'08"	39.500828	N07°45'34"E	81.78
C37	53.43	S180°00'	39°50'08"	39.500828	N07°45'34"E	81.78
C38	53.43	S180°00'	39°50'08"	39.500828	N07°45'34"E	81.78
C39	22.50	S90°00'	13°50'06"	13.500627	N06°33'30"W	22.45
C40	22.50	S90°00'	13°50'06"	13.500627	N06°33'30"W	22.45
C41	78.81	S143°20'	28°18'03"	28.180325	S14°20'01"E	78.82
C42	78.81	S143°20'	28°18'03"	28.180325	S14°20'01"E	78.82
C43	80.07	S200°00'	87°14'55"	87.145528	S83°31'14"W	54.48
C44	29.78	S200°00'	144°13'08"	144.130827	N70°01'37"E	29.70
C45	73.78	S200°00'	56°13'44"	56.134425	N45°18'31"E	73.63
C46	47.88	S200°00'	42°28'48"	42.284827	N45°35'51"E	46.77
C47	12.83	S00°00'	07°24'53"	7.245325	S85°00'05"E	12.82



**SURVEYOR'S CERTIFICATE**  
 I, MICHAEL C. FOWLER, A REGISTERED LAND SURVEYOR IN THE STATE OF WASHINGTON, (REG. #17910) HEREBY CERTIFY THAT THE PLAT OF WESTCLIFFE PHASE VIII AS SHOWN HEREON IS BASED UPON ACTUAL FIELD SURVEY OF THE LAND DESCRIBED AND THAT MONUMENTS HAVE BEEN SET AND THE LOT CORNERS STAKED AS SHOWN ON THE PLAT.

MICHAEL C. FOWLER

DATE

**AUDITOR'S CERTIFICATE**

FILED FOR RECORD THIS \_\_\_\_\_ DAY OF \_\_\_\_\_, 20\_\_ AD. AT \_\_\_\_\_  
 MANITIS PAST \_\_\_\_\_ M. AND RECORDED IN VOLUME \_\_\_\_\_ OF PLANS.  
 PAGE \_\_\_\_\_ AT THE REQUEST OF MARK BAUDER.

BENTON COUNTY AUDITOR

FEE NUMBER

BY DEPUTY \_\_\_\_\_ SHEET 1 OF 2  
 PRODUCED BY: 17910-11  
 JOB: E:\BAUDER\WESTCLIFFE\10\17910-PLAT.DWG

